

TABLE OF CONTENTS



SR-1050

TABLE OF CONTENTS

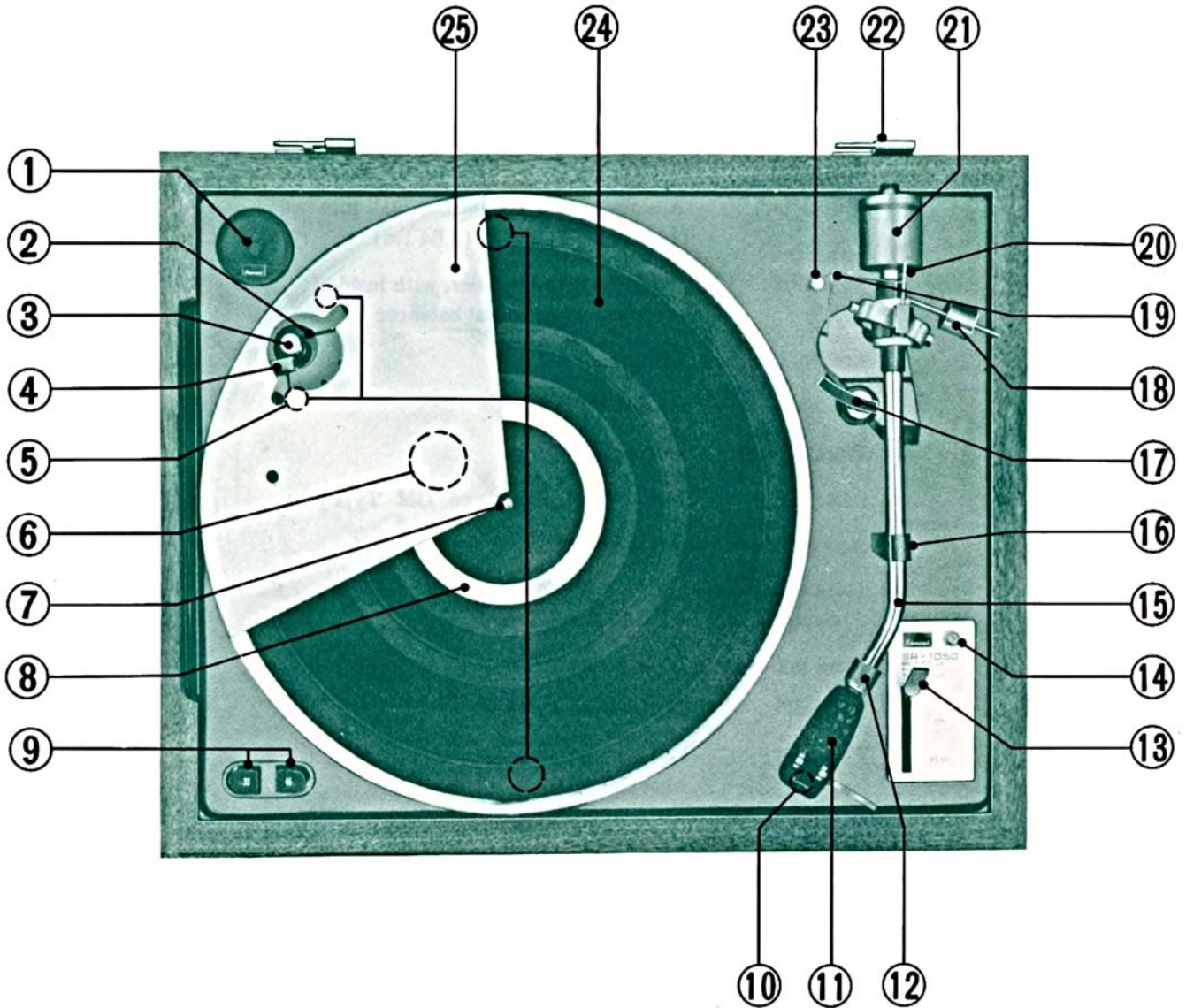
<u>Section</u>	<u>Title</u>	<u>Page</u>
1.	SPECIFICATIONS	4-1
2.	CONTROLS, INDICATORS AND OTHERS	4-2
3.	MAINTENANCE	4-3
3-1.	Changing the capstan	4-3
3-2.	Replacing the cartridge	4-3
3-3.	Oiling	4-4
3-4.	Changing the LINE voltage	4-4
4.	ADJUSTMENT	4-5
4-1.	Adjusting the stylus pressure	4-5
4-2.	Adjusting the inside force canceler	4-5
4-3.	Adjusting lateral balance	4-5
5.	TROUBLESHOOTING	4-7
5-1.	Turntable not rotating	4-7
5-2.	No sound	4-7
5-3.	Distorted or weak sound	4-7
5-4.	Hum	4-8
5-5.	Rumble (Unusual) sound	4-8
5-6.	Incorrect speed	4-8
5-7.	Improper tracing	4-8
6.	EXPLODED VIEW & PARTS LIST	4-9
6-1.	Exploded view (1) and parts list	4-10
6-2.	Exploded view (2) and parts list	4-13
6-3.	Exploded view (3) and parts list	4-14
6-4.	Packing and accessories list	4-17

1. SPECIFICATION

Type:	2-speed, belt-driven manual turntable
Rated speeds:	33 ¹ / ₃ , 45 rpm
Motor:	4-pole synchronous
Turntable (Platter):	Aluminum alloy die-cast, 301 mm (11 ¹³ / ₁₆ " ϕ , 1.3 kg (2.64 lbs))
Tonearm:	Static-balanced tubular, with inside force canceler, lateral balancer
Arm length:	220 mm (8 ² ¹ / ₃₂ ")
Overhang:	15 mm (1 ⁹ / ₃₂ ")
Tracking error:	Less than $\pm 1.5^\circ$
Cartridge:	Induced magnet type (IM Type)
Stylus:	0.5 mil diamond
Stylus compliance:	17 $\times 10^{-6}$ cm/dyne
Load impedance:	50 k Ω
S/N ratio:	Better than 40 dB
Wow and flutter:	Less than 0.07 %
Frequency response:	20 ~ 20,000 Hz
Output voltage:	5 mV
Crosstalk:	Better than 25 dB at 1 kHz
Stylus pressure:	1.5 ~ 2 gram
Dust cover:	Smoked acrylic dust cover
Cabinet:	Walnut, open-pore finished
Power source:	100 V, 115 V, 130 V, 200 V, 230 V and 250 V, 50/60 Hz
Dimensions:	Width 440 mm (17 ²¹ / ₆₄ "), depth 350 mm (13 ²⁵ / ₃₂ "), height 190 mm (7 ³¹ / ₆₄ ")
Weight:	9.8 kg (21.6 1 bs)

* Manufacturer reserves a right to change design and/or specifications without notice for purpose of improvement.

2. CONTROLS, INDICATORS AND OTHERS



- | | | | | | |
|---|-------------------|---|-----------------------|---|----------------------|
| ① | 45 rpm adaptor | ⑨ | Speed selector switch | ⑰ | Arm lifter |
| ② | Belt | ⑩ | Cartridge (Stylus) | ⑱ | Lateral weight |
| ③ | Capstan | ⑪ | Shell | ⑲ | Bias hook |
| ④ | Belt guide | ⑫ | Locking nut | ⑳ | Bias cursor |
| ⑤ | Shipping bolts | ⑬ | Control lever | ㉑ | Main weight |
| ⑥ | Voltage selector | ⑭ | Pilot lamp | ㉒ | Hinge |
| ⑦ | Turntable spindle | ⑮ | Tonearm | ㉓ | Bias weight |
| ⑧ | Turntable ring | ⑯ | Arm rest | ㉔ | Turntable rubber mat |
| | | | | ㉕ | Turntable (Platter) |

3. MAINTENANCE

3-1. Changing the capstan

The SR-1050's power source frequency has been properly adjusted for the area. If the turntable is brought to the country or area where electrical cycles change from 50 to 60 Hz or vice versa, an adjustment in the turntable speed is necessary as follows.

1. Remove the turntable (platter) and belt.
2. Loosen the setscrew of the capstan and pull the capstan up.
3. Attach a proper capstan (the thicker one is for 50 Hz).
4. Adjust the height of the capstan so that the belt moves smoothly while changing the turntable speed from $33\frac{1}{3}$ to 45 rpm or vice versa, then tighten the setscrew of the capstan securely.

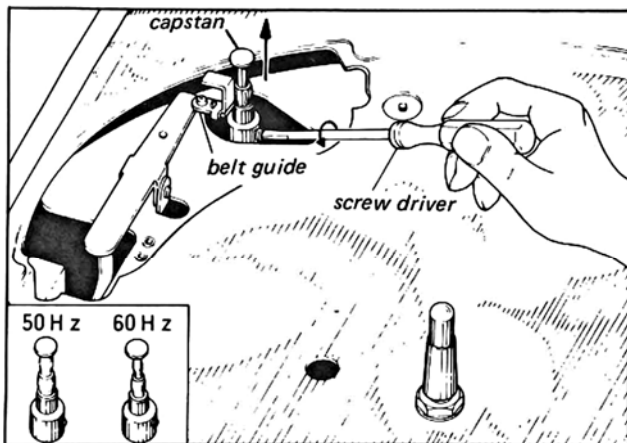


Fig. 3-1

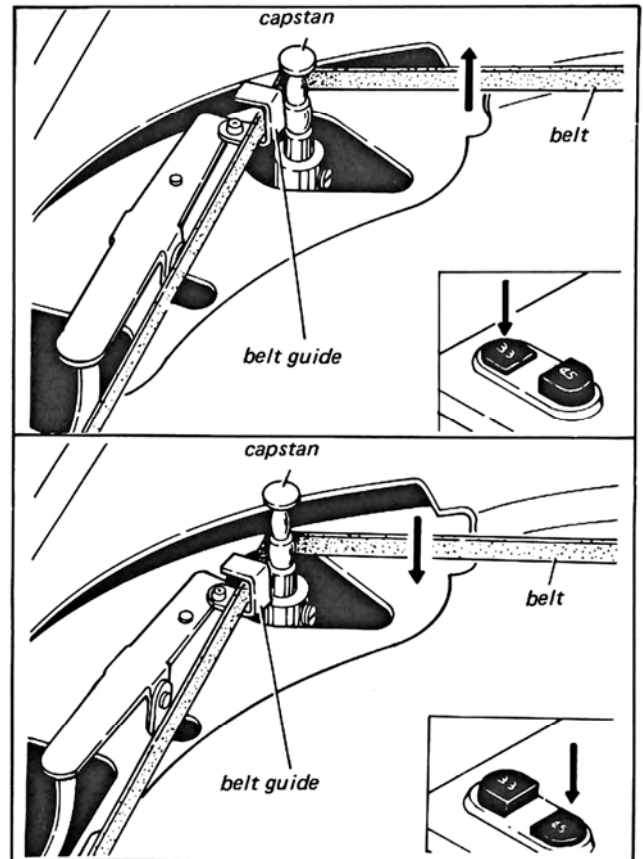


Fig. 3-2

3-2. Replacing the cartridge

1. Turn the locking nut counterclockwise and pull the shell out.
2. Remove the cartridge by loosening the nuts and disconnecting the leads.
3. Attach the cartridge and connect the leads in place correctly.
4. After replacement, adjust the stylus pressure again. (See page 4-5, 4-1. Adjusting the stylus pressure.)

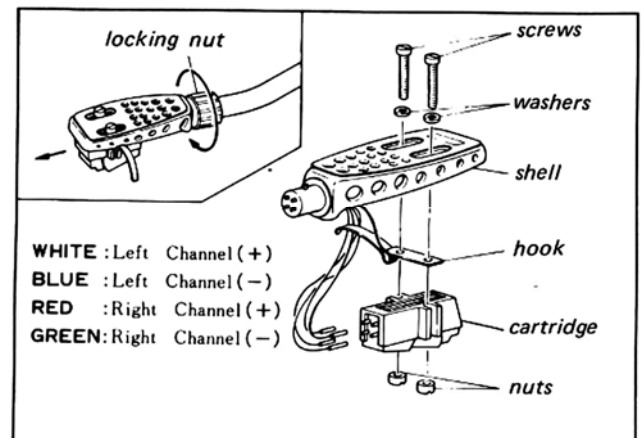


Fig. 3-3

3-3. Oiling

Although the need for oiling depends on usage, oiling should be performed once a year (every 1,000 hours of operation).

1. Motor

Remove the turntable (platter) and apply a few drops of oil.

Use only the oil attached with the turntable. Be careful that the oil does not stain the belt or capstan.

2. Turntable spindle

Remove the bottom board from the cabinet and loosen the setscrew in the bearing section of the turntable spindle, pull the spindle up and apply a few drops of oil.

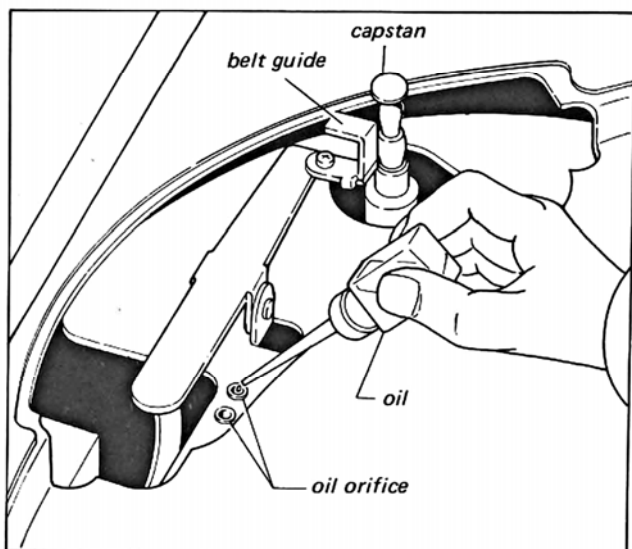


Fig. 3-4

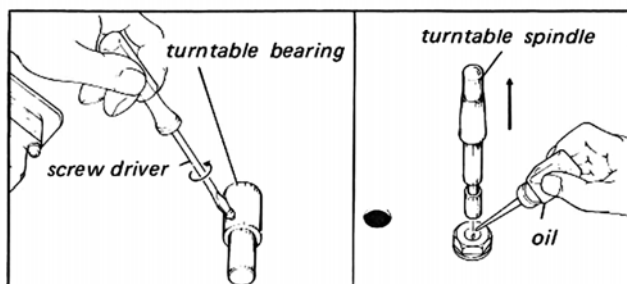


Fig. 3-5

3-4. Changing the LINE voltage

The SR-1050 can be used at six different voltages: 100 V, 115 V, 130 V, 200 V, 230 V and 250 V. Be careful not to switch to the wrong position.

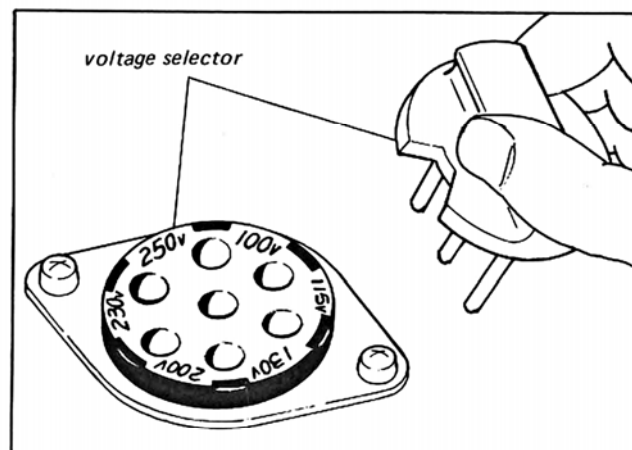
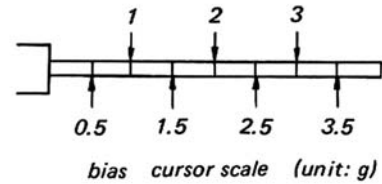


Fig. 3-6

4. ADJUSTMENT



4-1. Adjusting the stylus pressure

1. Remove the stylus cover from the cartridge and set the control lever to PLAY.
2. Remove the tonearm from its rest.
3. Set the stylus in the notch of the stylus pressure gauge so that the number on the gauge coincides with the stylus pressure as Fig. 4-1. Each notch represents 0.5 gram.
4. Move the main weight back and forth until the stylus pressure gauge balances.

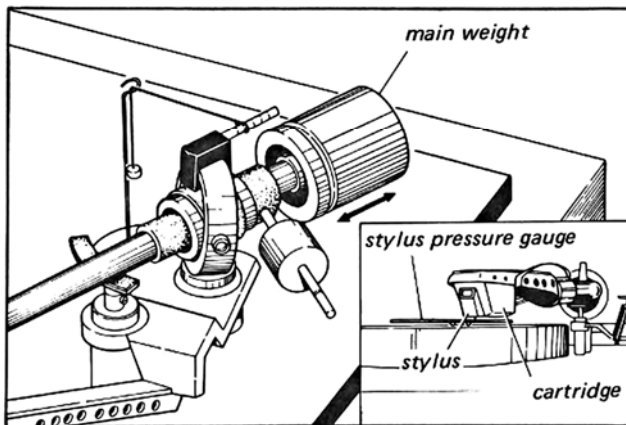


Fig. 4-1

4-2. Adjusting the inside force canceler

1. Thread the loop of the bias weight over the bias cursor and drop the thread into the bias hook.
2. Each notch on the bias lever represents 0.5 gram. Position the loop in the groove corresponding to the stylus pressure being used.

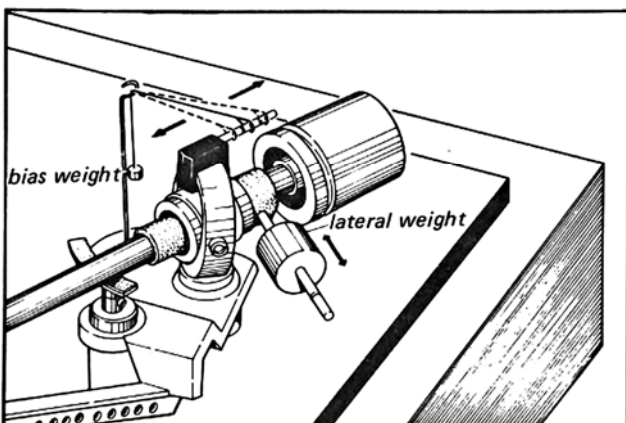
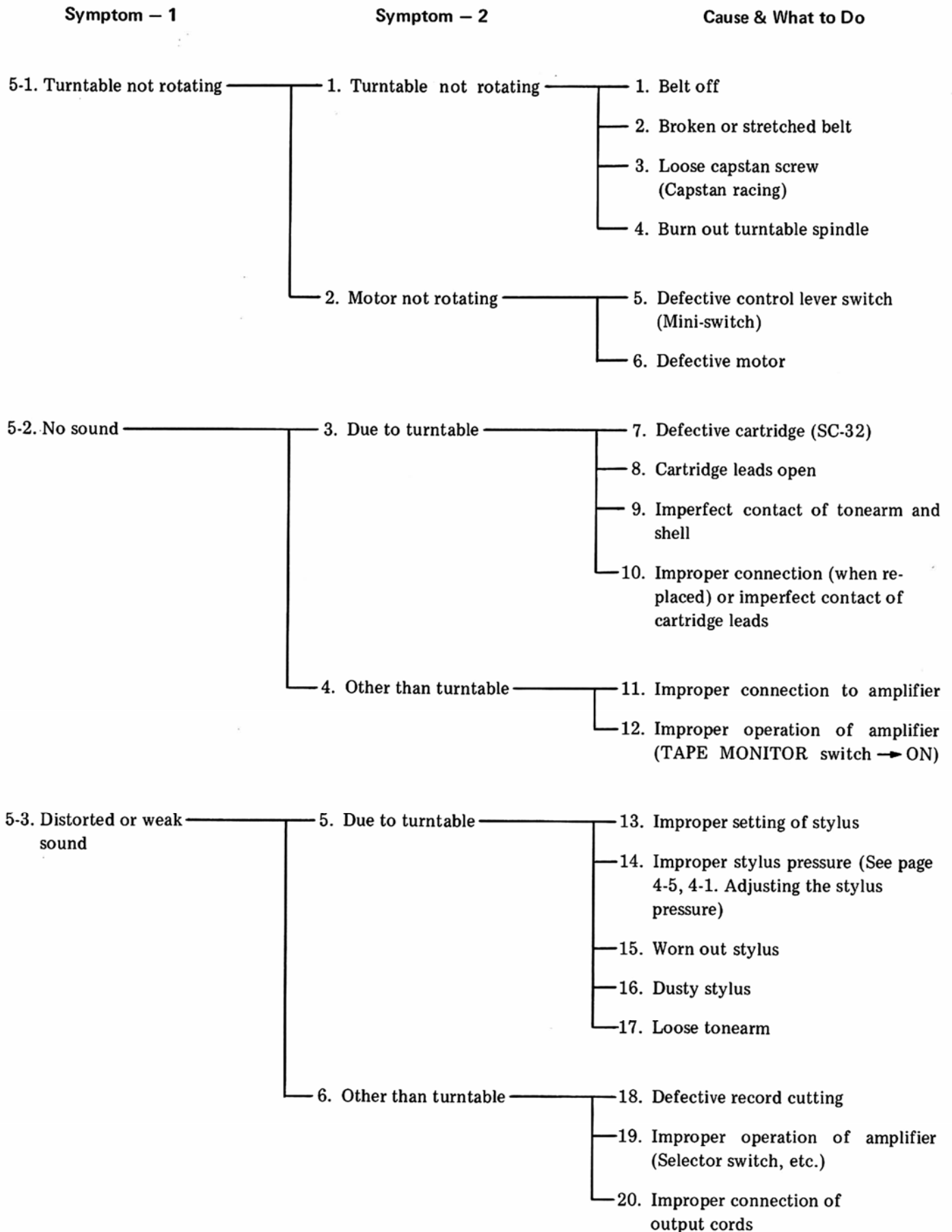


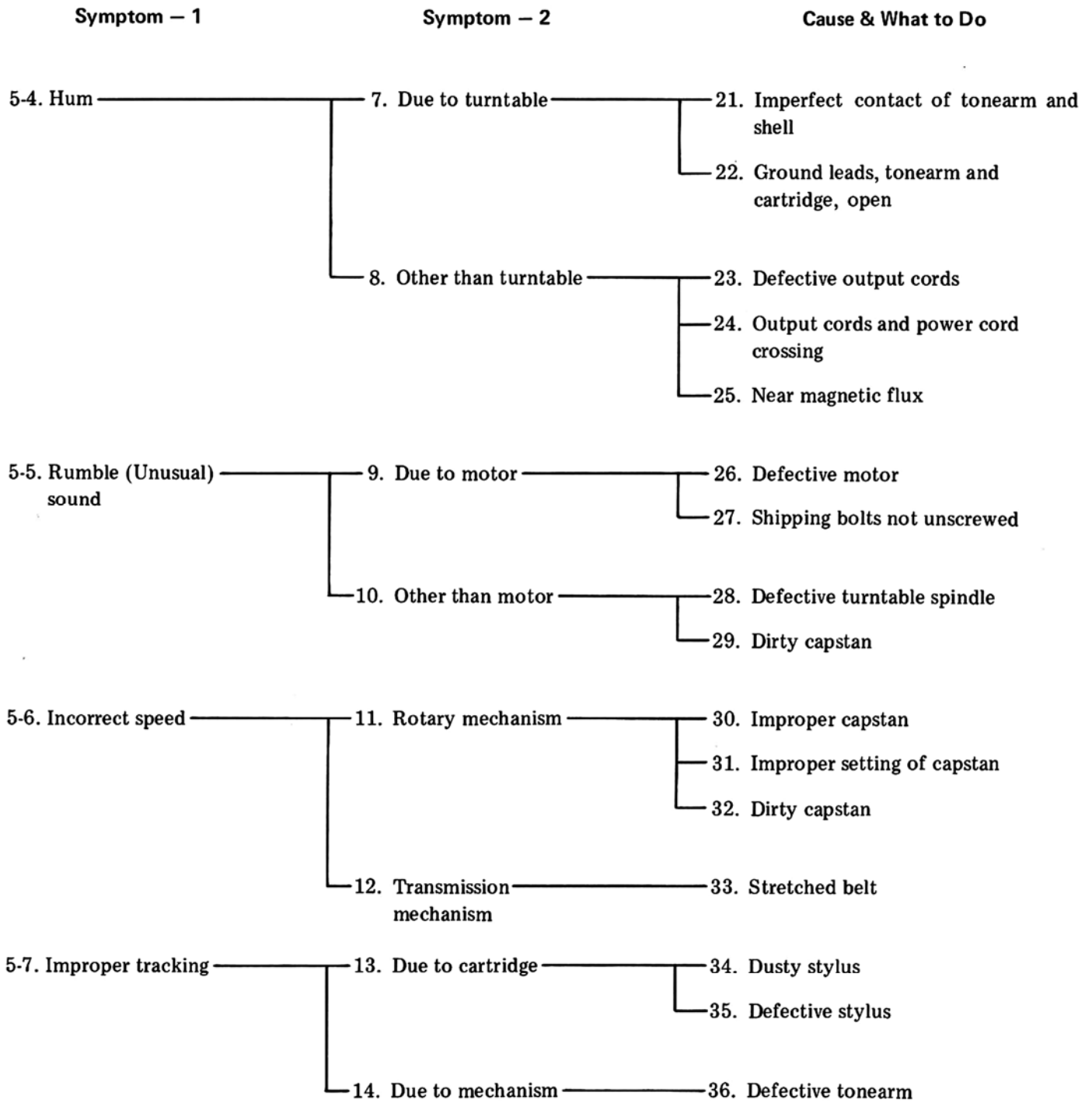
Fig. 4-2

4-3. Adjusting the lateral balancer

1. Cut the AC power off.
2. Balance the tonearm.
3. Move the lateral weight until the tonearm stops at any position as it is placed, while raising the rear bottom edge (hinged side) of the SR-1050 about four inch high.
4. Lateral balance is pre-adjusted for the attached cartridge.

5. TROUBLESHOOTING



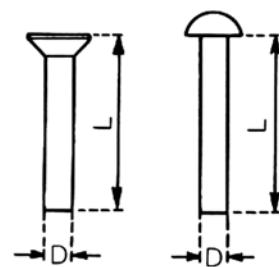
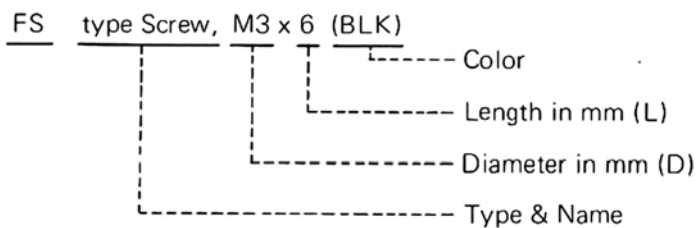


6. EXPLODED VIEW & PARTS LIST

Hardware Nomenclature

	Name	Abbreviation		Type
SCREW	Pan Head Screw	P		
	Binding Head Screw	B		
	Round Head Screw	R		
	Flat Countersunk Head Screw	F		
	Oval Countersunk Head Screw	O		
	Truss Head Screw	T		
	Flat Fillister Screw	FS		
	Oval Countersunk Wood Screw	OC		
	Flat Countersunk Wood Screw	FC		
	Pan Head Tapping Screw	PT		
SETSCREW	Hex. Socket Setscrew	S		
	Slot Type Setscrew	SS		
WASHER	Retaining Ring (E washer)	E		
	Plane Washer	P		
	Spring Washer	S		
	Corrugated Washer	C		
	Toothed Lock Washer	TL		

EXAMPLE



All screws conform to ISO standards, unless otherwise noted.

6-1. Exploded view (1) and parts list (See Fig. 6-1)

※ Use the stock number for parts order. If the stock number is unknown, use the model's name, fig. number, parts number and parts name correctly.

Parts No.	Stock No.	Description	Parts No.	Stock No.	Description
1	5100063	B Type Screw, M4 x 10	31	5143026	FC Type Screw, M3.1 x 13
2	5111060	Hex. Cap Nut, M4	32	5143026	FC Type Screw, M3.1 x 13
3	5100063	B Type Screw, M4 x 10	33	5512040	Insulator C
4	5111060	Hex. Cap Nut, M4	34	5512020	Insulator B
5	6922020	Hinge A	35	5512040	Insulator C
6	5100063	B Type Screw, M4 x 10	36	5512040	Insulator C
7	5111060	Hex. Cap Nut, M4	37	5732030	Bottom Cover
8	5100063	B Type Screw, M4 x 10	38	5101067	B Type Screw, M4 x 18
9	5111060	Hex. Cap Nut, M4	39		P Type Washer, 4 x 12 x 1.2
10	6922010	Hinge C	40	5101067	B Type Screw, M4 x 18
	7022010	Stay Ass'y	41		P Type Washer, 4 x 12 x 1.2
11		Setscrew, stay	42	5101067	B Type Screw, M4 x 18
12		Washer, stay	43		P Type Washer, 4 x 12 x 1.2
13		Setscrew, stay	44	5101067	B Type Screw, M4 x 18
14		Arm, stay	45		P Type Washer, 4 x 12 x 1.2
15		Color, stay	46		Output Cords
16	5362010	Name Plate, dust cover	47		AC Cord
17	5362010	Name Plate, dust cover	48	5143026	FC Type Screw, M3.1 x 13
18	5062010	Dust Cover	49	5143026	FC Type Screw, M3.1 x 13
19	5392050	Ring, turntable	50	5143026	FC Type Screw, M3.1 x 13
20	5502110	Rubber Mat, turntable	51	6922020	Hinge B
21	6112040	Turntable	52	5143026	FC Type Screw, M3.1 x 13
22	6032040	Belt	53	5143026	FC Type Screw, M3.1 x 13
23	5143026	FC Type Screw, M3.1 x 13	54	5143026	FC Type Screw, M3.1 x 13
24	5143026	FC Type Screw, M3.1 x 13	55	6922010	Hinge D
25	5143026	FC Type Screw, M3.1 x 13	56	5502020	Cushion
26	5143026	FC Type Screw, M3.1 x 13	57	5502020	Cushion
27	5143026	FC Type Screw, M3.1 x 13	58	5332020	Badge
28	5143026	FC Type Screw, M3.1 x 13	59	5732040	Cabinet
29	5143026	FC Type Screw, M3.1 x 13			
30	5143026	FC Type Screw, M3.1 x 13			

Fig. 6-1

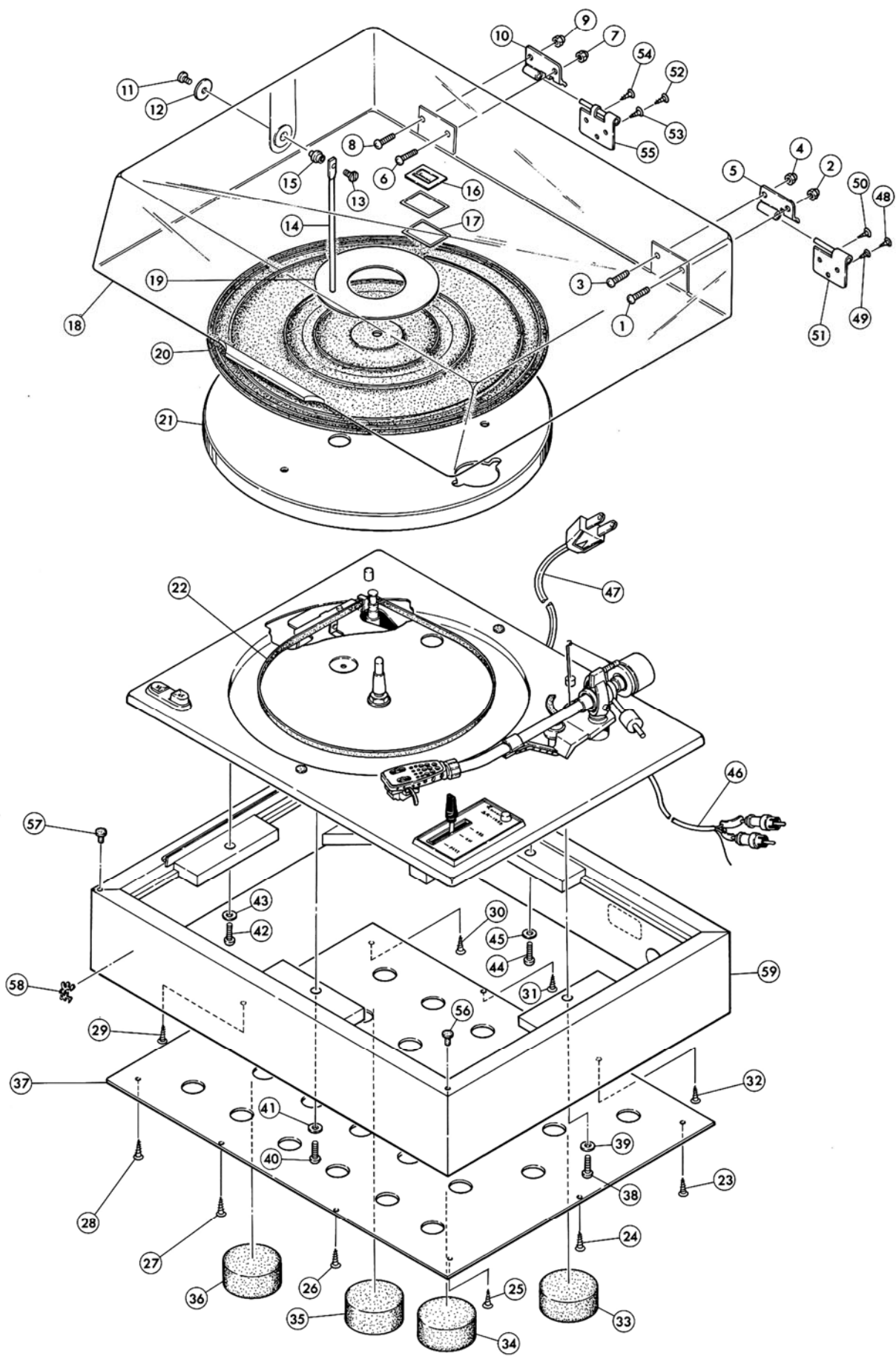
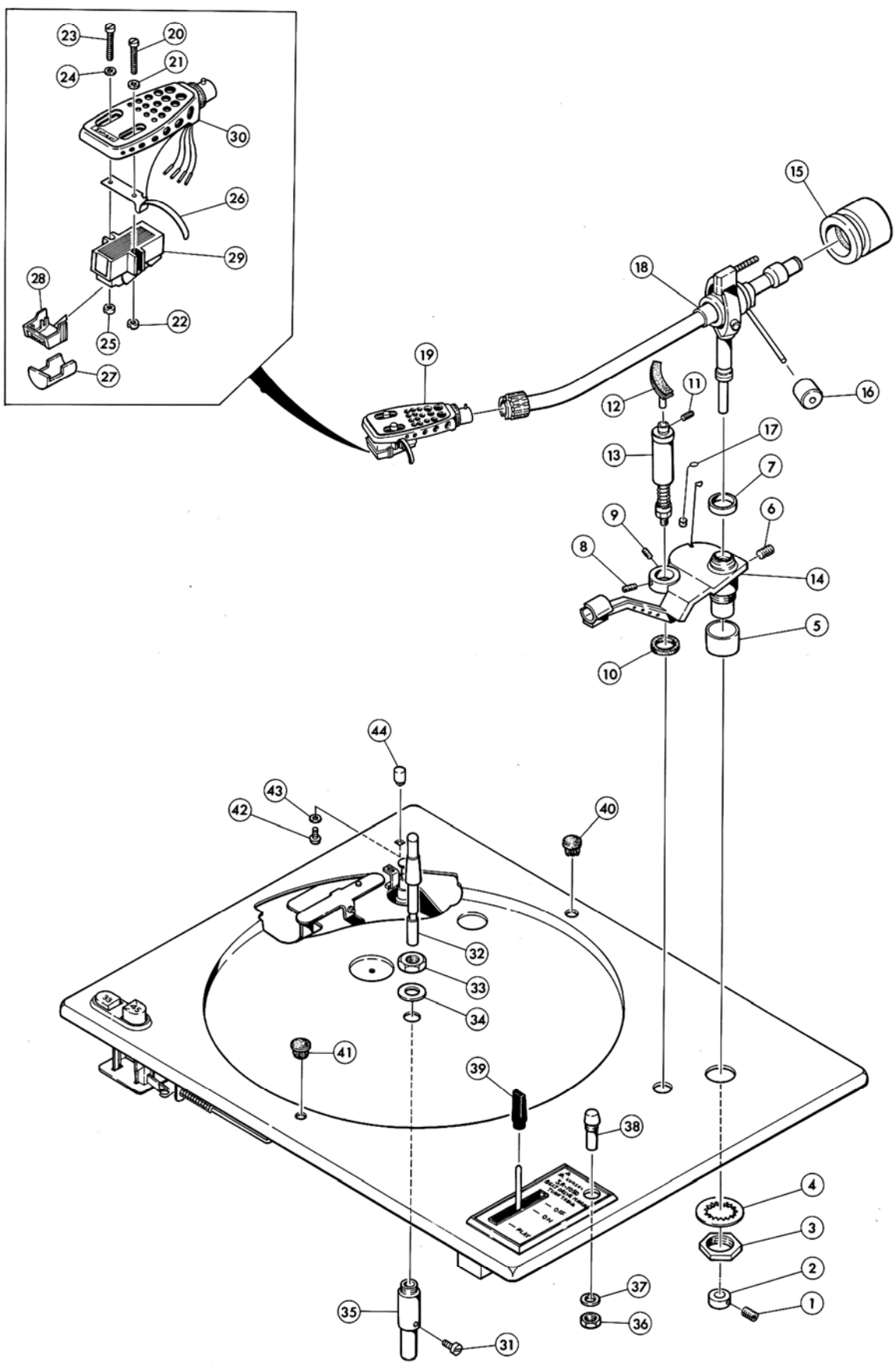


Fig. 6-2



6-2. Exploded view (2) and parts list (See Fig. 6-2)

※ Use the stock number for parts order. If the stock number is unknown, use the model's name, fig. number, parts number and parts name correctly.

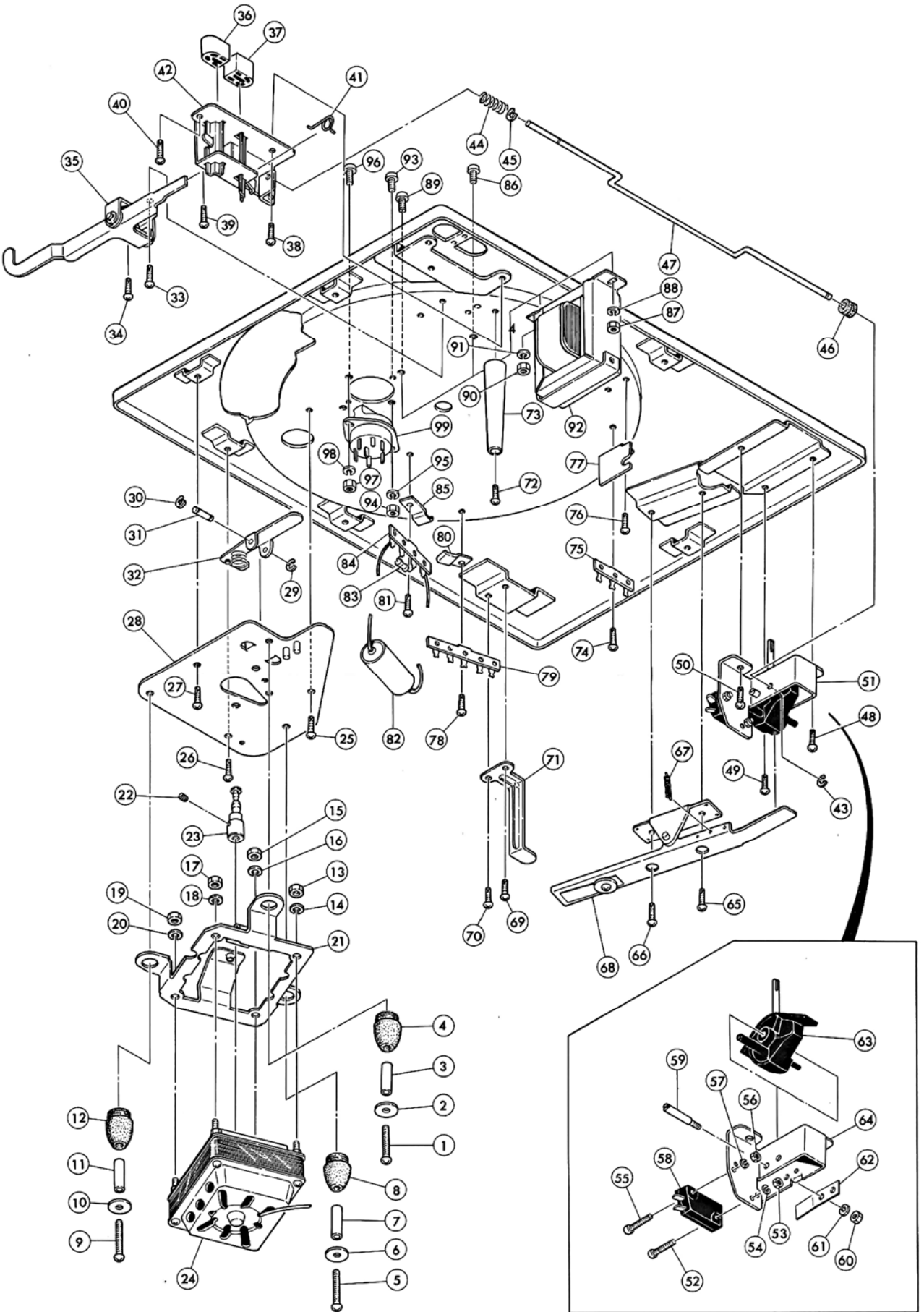
Parts No.	Stock No.	Description	Parts No.	Stock No.	Description
	7092040	Tonearm Ass'y	24		Washer, rigid polyvinyle chloride
1		S Type Screw, M3 x 5 (BLK)	25		Nut, M2.6
2		Bearing, tonearm	26		Hook, shell
3		Hex. Nut, M16	27		Cover, stylus
4		TL Type Washer, M16	28	4940030	Stylus (SN-31)
5		Ring A, tonearm	29	4310030	Cartridge (SC-32)
6		S Type Screw, M4 x 5 (BLK)	30	6642030	Sheel
7		Ring B, tonearm		7032040	Turntable Spindle Ass'y
8		SS Type Screw, M2.6 x 4	31		Setscrew, turntable spindle
9		SS Type Screw, M2.6 x 4	32		Spindle, turntable
10		Rubber Ring, arm lifter	33		Hex. Nut, M10
11		SS Type Screw, M2.6 x 3	34		P Type Washer, 10 x 16 x 1.0
12	5292030	Guide, arm	35		Bearing, turntable
13	7082040	Lifter, arm	36		Hex. Nut, M7.5
14	6632020	Arm Base Ass'y	37		P Type Washer, 7.5 x 10 x 0.5
15	6912040	Weight, main	38		Lamp, neon
16	6912050	Weight, lateral	39	5312030	Cap, control lever
17	6912060	Weight, bias	40	5062050	Rubber Plug
18		Tonearm	41	5062050	Rubber Plug
19		Shell (with Cartridge)	42		PT Type Screw, M2.6 x 6
20		FS Type Screw, M2.6 x 15 (BLK)	43		P Type Washer, 2.6 x 10 x 0.8
21		Washer, rigid polyvinyle chloride	44		Stay, adaptor
22		Nut, M2.6			
23		FS Type Screw, M2.6 x 15 (BLK)			

6-3. Exploded view (3) and parts list (See Fig. 6-3)

※ Use the stock number for parts order. If the stock number is unknown, use the model's name, fig. number, parts number and parts name correctly.

Parts No.	Stock No.	Description	Parts No.	Stock No.	Description
1	5103070	P Type Screw, M4 x 30	50	5103541	PT Type Screw, M3 x 6
2		P Type Washer, 4 x 15 x 0.8	51	7052110	Control Lever Ass'y
3	5232060	Spacer, motor	52	5103029	P Type Screw, M2.6 x 15
4	5502120	Rubber Cushion, motor	53	5110321	Hex. Nut, M2.6 x 5 x 2
5	5103070	P Type Screw, M4 x 30	54	5121220	S Type Washer, 2.6 x 1.0 x 0.6
6		P Type Washer, 4 x 15 x 0.8	55	5103029	P Type Screw, M2.6 x 15
7	5232060	Spacer, motor	56	5110321	Hex. Nut, M2.6 x 5 x 2
8	5502120	Rubber Cushion, motor	57	5121220	S Type Washer, 2.6 x 1.0 x 0.6
9	5103070	P Type Screw, M4 x 30	58		Mini-Switch
10		P Type Washer, 4 x 15 x 0.8	59		Shaft, lift cam
11	5232060	Spacer, motor	60	5110361	Hex. Nut, M4 x 7 x 3.2
12	5502120	Rubber Cushion, motor	61	5121260	S Type Washer, 4 x 1.4 x 1.0
13	5110361	Hex. Nut, M4 x 7 x 3.2	62		Leaf Spring, lift cam
14	5121260	S Type Washer, 4 x 1.4 x 1.0	63		Lift Cam
15	5110361	Hex. Nut, M4 x 7 x 3.2	64		Case, lift cam
16	5121260	S Type Washer, 4 x 1.4 x 1.0	65	5103542	PT Type Screw, M3 x 8
17	5110361	Hex. Nut, M4 x 7 x 3.2	66	5103542	PT Type Screw, M3 x 8
18	5121260	S Type Washer, 4 x 1.4 x 1.0	67		Spring, lift lever
19	5110361	Hex. Nut, M4 x 7 x 3.2	68		Lift Lever Ass'y
20	5121260	S Type Washer, 4 x 1.4 x 1.0	69	5103542	PT Type Screw, M3 x 8
21	5242100	Sheet, motor	70	5103542	PT Type Screw, M3 x 8
22		SS Type Screw, M3 x 4	71		Plate, protector
23	6142070	Capstan (50 Hz)	72	5103542	PT Type Screw, M3 x 8
	6142080	Capstan (60 Hz)	73	5292050	Pole, protector
24	4320070	Motor	74	5103542	PT Type Screw, M3 x 8
25	5103542	PT Type Screw, M3 x 8	75	2110060	2-Lug Terminal Strip
26	5103542	PT Type Screw, M3 x 8	76	5103542	PT Type Screw, M3 x 8
27	5103542	PT Type Screw, M3 x 8	77		Holder, stopper lever
28		Sub Panel	78	5103542	PT Type Screw, M3 x 8
29	5151002	E Type Ring, 2 φ	79	2110070	4-Lug Terminal Strip
30	5151002	E Type Ring, 2 φ	80		Cord Clamper
31		Shaft, step lever	81	5103542	PT Type Screw, M3 x 8
32	7052100	Step Lever Ass'y	82		Oil Capacitor, 0.33 μF 600 V
33	5103542	PT Type Screw, M3 x 8	83		Carbon Resistor, 150 kΩ ¼ W
34	5103542	PT Type Screw, M3 x 8	84	2110120	3-Lug Terminal Strip
35	7052110	Selector Lever Ass'y	85		Cord Clamper
36	5322010	Pushbutton (45)	86	5103063	P Type Screw, M4 x 10
37	5322020	Pushbutton (33)	87	5110361	Hex. Nut, M4 x 7 x 3.2
38	5103542	PT Type Screw, M3 x 8	88	5121260	S Type Washer, 4 x 1.4 x 1.0
39	5103542	PT Type Screw, M3 x 8	89	5103063	P Type Screw, M4 x 10
40	5103542	PT Type Screw, M3 x 8	90	5110361	Hex. Nut, M4 x 7 x 3.2
41		Spring, speed selector	91	5121260	S Type Washer, 4 x 1.4 x 1.0
42		Speed Selector Ass'y	92		Power Transformer
43	5151002	E Type Ring, 2 φ	93	5103045	P Type Screw, M3 x 10
44		Spring, stopper shaft	94	5110241	Hex. Nut, M3 x 5.5 x 2.4
45	5151002	E Type Ring, 2 φ	95	5121340	S Type Washer, 3 x 1.1 x 0.7
46		Rubber Bushing, stopper shaft	96	5103045	P Type Screw, M3 x 10
47	6512030	Stopper Shaft	97	5110241	Hex. Nut, M3 x 5.5 x 2.4
48	5103541	PT Type Screw, M3 x 6	98	5121340	S Type Washer, 3 x 1.1 x 0.7
49	5103541	PT Type Screw, M3 x 6	99		Voltage Selector

Fig. 6-3



SR-1050

Sarsvit

6-4. Packing and accessories list

Packing list

Parts No.	Stock No.	Description
1		Carton Case
2		Foamed Polystyrene Package (Lower)
3		Record Player
4		Foamed Polystyrene Package (Upper)
5	5062010	Dust Cover
6	6032040	Belt
7	6112040	Turntable
8	5502110	Turntable Rubber Mat
9		Inner Packing

Accessories list

Parts No.	Stock No.	Description
1	6912040	Main Weight
2	6912060	Bias Weight
3		Shell (with cartridge)
4		45 rpm Adaptor
5		Stylus Pressure Gauge
6		Screwdriver
7		Oil Feeder

